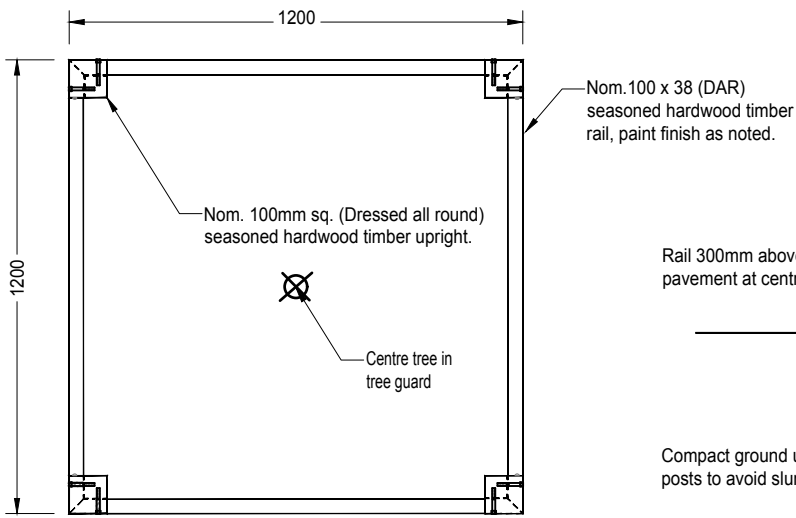
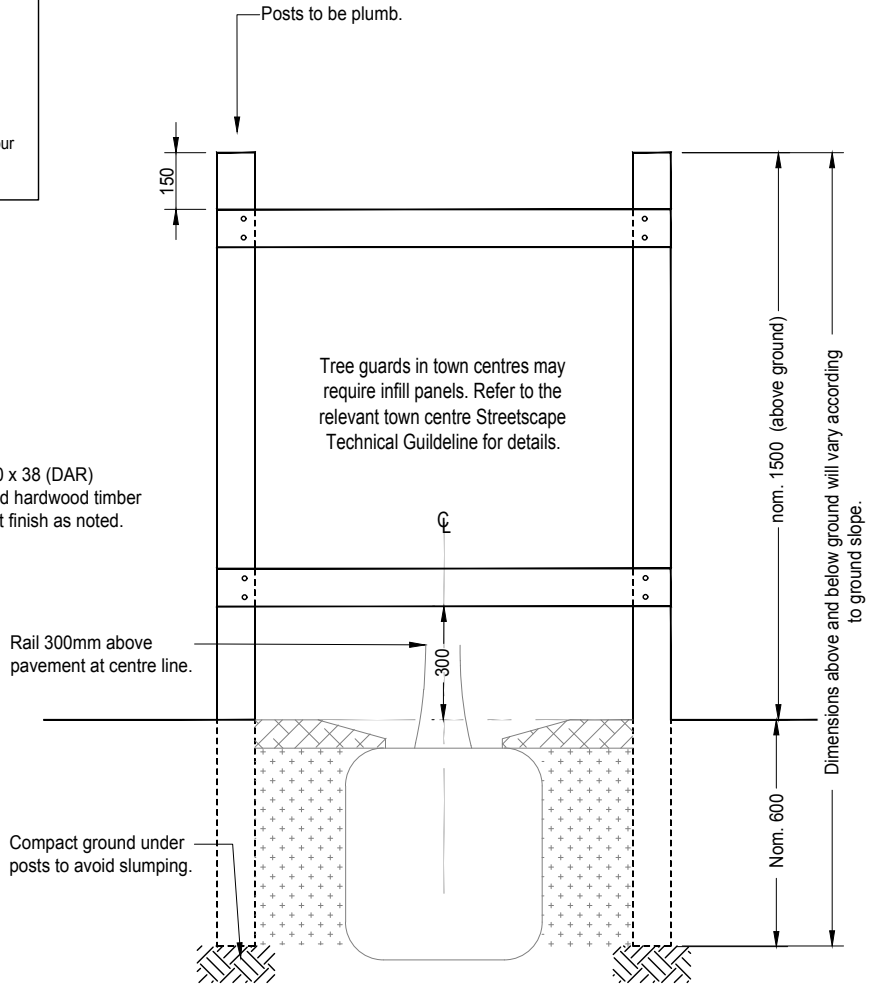


FOR INFORMATION ONLY
NOT FOR CONSTRUCTION

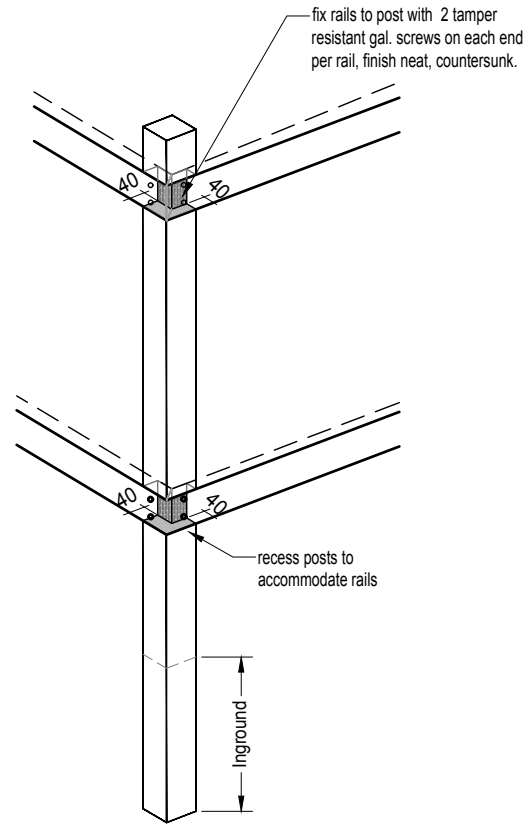
- NOTES:
- All timber to be supplied DAR and seasoned.
 - For timber in contact with ground, use:
 - * timber with natural durability class 1 or 2, with sapwood removed or treated to H4 in accordance with AS1604.1; or
 - * timber with natural durability class 3 or 4, treated to H4 in accordance with AS1604.1
 - For all other timber, use timber with natural durability class 2-4 treated to H3 in accordance with AS1604.1
 - Ensure all saw cuts are preservative paint treated to maintain required hazard (H4/H3) classification.
 - Paint finish with exterior grade paint. Undercoat and two surface coats. Paint colour in accordance with approved plans.



D1 Plan of tree guard
1:20



D2 Elevation of tree guard
scale 1:20



D3 Post - 3D View
NTS

VERSION	DATE	COMMENTS	PAPER SIZE
3	2015-12	Amended format, review 2015	A4
2	2015-11	Amended timber post notes (removed seasoned)	A4
1	2013-05	Final for DCP.	A4

WORK TO FIGURED DIMENSIONS - DO NOT SCALE. DO NOT RELY ON THESE STANDARD DRAWINGS AS THE EQUIVALENT OF, OR SUBSTITUTE FOR, PROJECT-SPECIFIC DESIGN & ASSESSMENT BY A QUALIFIED PROFESSIONAL.



126-138 MAIN ROAD
SPEERS POINT
PHONE (02)4921 0333
www.lakemac.com.au
SHEET: 1 OF 1

DRAWING TITLE Standard Drawings - Tree Guard (typical)	
DRAWING No: LSD-GUA-01	VERSION: 3